



CF90 Cassette System_



STANSONS_

CF90

Cassette System

The CF90 Cassette System offers a comprehensive range of head box styles, controls and side channel options with improved performance functionality and aesthetics. A contemporary round or square headbox, designed to house the most commonly used medium roller systems. Utilising versatile hardware, the new cassette suite can be matched with dim-out side channels.

Aesthetical Features:

- Clean lines and complimentary aesthetics for various applications in round or square finish
- Face and top mounting clip options available for installations with minimised light and shadow gap
- End covers designed to overlap cassette front to create a clean finish.

Assembly / Production Features

- Versatile hardware for reduced inventory in creating full square or round cassettes
- 2 piece dim-out side guides for improved face and recess installation

Functional Benefits

- Co-moulded chain funnel guides for smooth and quiet operation
- Dim-out side channels for improved energy efficiency



SQAURE



ROUND

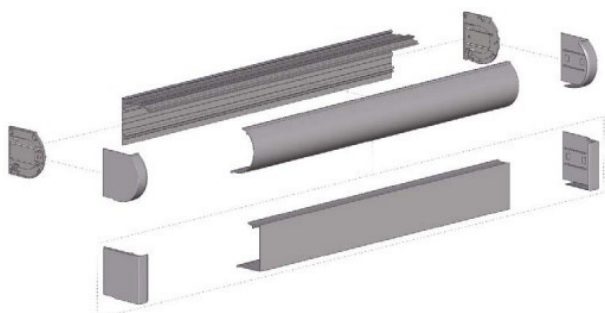
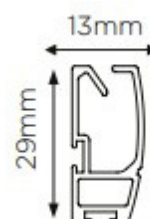
TOP MOUNTING CLIP



FACE MOUNTING CLIP



D 30 BOTTOM BAR



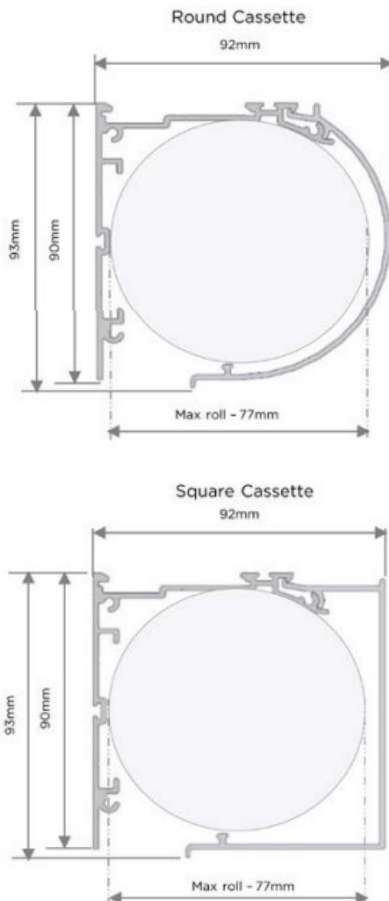
Deduction



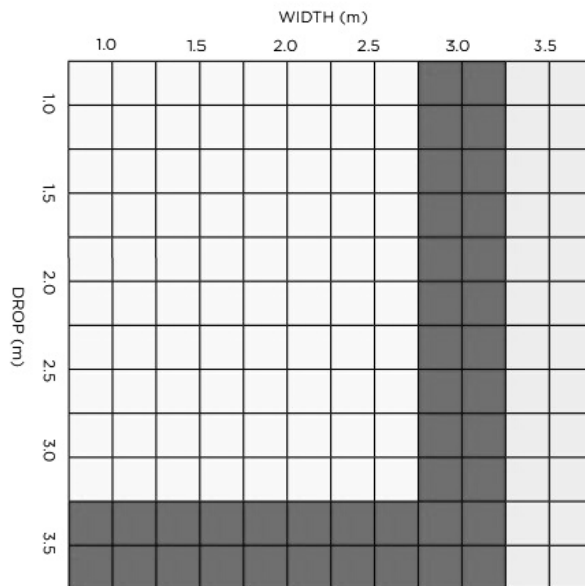
Minimum blind size, chain operation, 300mm (less than 200mm of visible fabric)
 Minimum blind size for motorised operation vary by motor type from 570mm

OVERALL DEDUCTIONS	CONTROL SIDE (CHAIN)	IDLE SIDE DEDUCTIONS
35	20	15

Max roll diameter:



System capacity



CONTROL	TUBE
SL15 Clutch	38mm Tube
SL20 Clutch	50MM Tube

Motorisation

Features

- Levelling Control
- Simple limit setting and adjustment
- Favourite position
- 3 operational speed settings available
- 2 way RF communication
- Rechargeable built in Li-ion battery
- Up to 500 up & down cycles, per charge (based on recommended max. shade size)
- New ARC protocol for simple programming

Benefits

AUTOMATE | Li-ion ARC motors offer a wire free rechargeable easy to use and program solution to suit a large range of applications with varying torques and speed levels.

The Levelling Control feature allows for precise positioning of multiple shades ensuring perfect alignment. Additionally, a favourite position can be pre-set and recalled at any time.

Motorisation / Optional Extras

[Rollease Automate LI-ON Motor 1.1Nm](#)

[Rollease Automate LI-ON Motor 2Nm](#)

[Rollease E6 240V RTS Motor 6Nm](#)

[Rollease M6 240V Hardwire Motor 6Nm](#)

[Automate LI-ON AC/DC charger \(UK\)](#)

[Automate 1 channel handset](#)

[Automate 5 channel handset](#)

[Automate 1 channel wall switch](#)

[Automate pulse hub](#)

[Automate Solar Panel](#)

[Also compatible with Somfy motorisation](#)

Standards

[Round white CF cassette cover](#)

[RSL38 Mechanism](#)

[38mm internal tube](#)

[White plastic end cheeks covers](#)

[55 x 27mm two piece side channels](#)

[with plastic fabric](#)

[funnels and bottom caps](#)

[Metal top fix brackets \(unless otherwise specified\)](#)

[D30 exposed bottom bar](#)

[RH controls \(unless otherwise specified\)](#)



STANSONS_

Motorisation

Features

- Levelling Control
- Simple limit setting and adjustment
- Favourite position
- 3 operational speed settings available
- 2 way RF communication
- Rechargeable built in Li-ion battery
- Up to 500 up & down cycles, per charge (based on recommended max. shade size)
- New ARC protocol for simple programming

Benefits

AUTOMATE | Li-ion ARC motors offer a wire free rechargeable easy to use and program solution to suit a large range of applications with varying torques and speed levels.

The Levelling Control feature allows for precise positioning of multiple shades ensuring perfect alignment. Additionally, a favourite position can be pre-set and recalled at any time.

Motorisation / Optional Extras

[Rollese Automate LI-ON Motor 2Nm](#)

[Rollese Automate LI-ON Motor 3Nm](#)

[Rollese E6 240V RTS Motor 6Nm](#)

[Rollese M6 240V Hardwire Motor 6Nm](#)

[Automate LI-ON AC/DC charger \(UK\)](#)

[Automate 1 channel handset](#)

[Automate 5 channel handset](#)

[Automate 1 channel wall switch](#)

[Automate pulse hub](#)

[Automate Solar Panel](#)

[Also compatible with Somfy motorisation](#)

Standards

[Round white CF cassette cover](#)

[RSL38 Mechanism](#)

[38mm internal tube](#)

[White plastic end cheeks covers](#)

[55 x 27mm two piece side channels with plastic fabric](#)

[funnels and bottom caps](#)

[Metal top fix brackets \(unless otherwise specified\)](#)

[D30 exposed bottom bar](#)

[RH controls \(unless otherwise specified\)](#)

